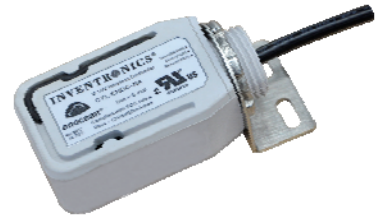


Features

- Controls 0-10V Dimming Input of One or More Inventronics LED Drivers
- Compatible with EnOcean® Wireless Devices Including Rocker-Pad Switches, Daylight and Occupancy Sensors
- Uses Driver Dim-to-Off Capability to Eliminate AC Switch or Relay
- Simple 3-Wire Connection to an Inventronics Driver Includes Power
- Low Standby Power ≤ 0.5 W
- Programmed Using a PC & the EnOcean Navigan Wireless Commissioner
- Convenient Mounting Options: Outside a Junction Box or Luminaire Secured by a Single Nut, or Inside a Luminaire Secured by a Bracket
- Waterproof (IP66) and UL Dry / Damp Location
- Flame Class: 5VA



Description

The CTL-ENOC-XX is a self-contained, programmable wireless dimming controller that enables one or more Inventronics LED drivers to be controlled by wall switches, dimmers, occupancy and daylight sensors that use the EnOcean® wireless standard.



Архангельск (8182)63-90-72
 Астана (7172)727-132
 Астрахань (8512)99-46-04
 Барнаул (3852)73-04-60
 Белгород (4722)40-23-64
 Брянск (4832)59-03-52
 Владивосток (423)249-28-31
 Волгоград (844)278-03-48
 Вологда (8172)26-41-59
 Воронеж (473)204-51-73
 Екатеринбург (343)384-55-89
 Иваново (4932)77-34-06

Ижевск (3412)26-03-58
 Иркутск (395)279-98-46
 Казань (843)206-01-48
 Калининград (4012)72-03-81
 Калуга (4842)92-23-67
 Кемерово (3842)65-04-62
 Киров (8332)68-02-04
 Краснодар (861)203-40-90
 Красноярск (391)204-63-61
 Курск (4712)77-13-04
 Липецк (4742)52-20-81
 Киргизия (996)312-96-26-47

Магнитогорск (3519)55-03-13
 Москва (495)268-04-70
 Мурманск (8152)59-64-93
 Набережные Челны (8552)20-53-41
 Нижний Новгород (831)429-08-12
 Новокузнецк (3843)20-46-81
 Новосибирск (383)227-86-73
 Омск (3812)21-46-40
 Орел (4862)44-53-42
 Оренбург (3532)37-68-04
 Пенза (8412)22-31-16
 Казахстан (772)734-952-31

Пермь (342)205-81-47
 Ростов-на-Дону (863)308-18-15
 Рязань (4912)46-61-64
 Самара (846)206-03-16
 Санкт-Петербург (812)309-46-40
 Саратов (845)249-38-78
 Севастополь (8692)22-31-93
 Симферополь (3652)67-13-56
 Смоленск (4812)29-41-54
 Сочи (862)225-72-31
 Ставрополь (8652)20-65-13
 Таджикистан (992)427-82-92-69

Сургут (3462)77-98-35
 Тверь (4822)63-31-35
 Томск (3822)98-41-53
 Тула (4872)74-02-29
 Тюмень (3452)66-21-18
 Ульяновск (8422)24-23-59
 Уфа (347)229-48-12
 Хабаровск (4212)92-98-04
 Челябинск (351)202-03-61
 Череповец (8202)49-02-64
 Ярославль (4852)69-52-93

Models and Accessories

P/N	Description	Notes
CTL-ENOC-NA ⁽¹⁾	Wireless commissioning tool for North America	902 Mhz
CTL-ENOC-EU ⁽²⁾	Wireless commissioning tool for Europe	868 Mhz
-	Hold-Down Bracket for Flush Mounting	Not needed for through-hole mounting
NWC-300U	PC Dongle for Programming - NA	-
NWC-300	PC Dongle for Programming - EU	-

Notes: (1) Certificates have got UL, FCC.

(2) Certificates have got CE, CB and TUV.

Input Specifications

Parameter	Min.	Typ.	Max.	Notes
Vaux Voltage	11.3 V	12 V	13.2 V	Support the maximum output current of LED driver to 100%Io
Iaux (Vaux Current)	-	34 mA	40 mA	

General Specifications

Parameter	Min.	Typ.	Max.	Notes
Dimensions Inches (L × W × H) Millimeters (L × W × H)	1.81 × 1.26 × 0.87 62 × 33 × 22			Without the bracket
Net Weight	-	60 g	-	With the bracket and nut

Note: All specifications are typical at 25°C unless stated otherwise.

Environmental Specifications

Parameter	Min.	Typ.	Max.	Notes
Operating Temperature	-20 °C	-	+70 °C	
Storage Temperature	-20 °C	-	+85 °C	Humidity: 5% RH to 100% RH

Dimming Specifications

Parameter	Min.	Typ.	Max.	Notes
Dim+ Voltage	0V	-	10V	Vaux > 12.1V
	0V	-	(Vaux-2.1)V	9.5V ≤ Vaux ≤ 12.1V
Dim+ Sink Current	0mA	-	20mA	When dimming off, Dim+ ≤ 0.3V

Note: All specifications are typical at 25°C unless stated otherwise.

Safety & EMC Compliance

Safety Category	Standard
UL/CUL(CTL-ENOC-NA)	UL8750,CAN/CSA-C22.2 No. 250.13
CE(CTL-ENOC-EU)	EN 61347-2-11, EN 61347-1, EN 62479, ETSI EN 300 220-1 V2.4.1, ETSI EN 300 220-2 V2.4.1, ETSI EN 301 489-1 V1.9.2, ETSI EN 301 489-3 V1.6.1
EMI Standards	Notes
EN 55022 ⁽¹⁾	Conducted emission Test & Radiated emission Test
FCC Part 15 ⁽¹⁾	ANSI C63.4 Class B
	This device complies with Part 15 of the FCC Rules. Operation is subject to the following two conditions: [1] this device may not cause harmful interference, and [2] this device must accept any interference received, including interference that may cause undesired operation.
EMS Standards	Notes
EN 61000-4-2	Electrostatic Discharge (ESD): 8 kV air discharge, 4 kV contact discharge
EN 61000-4-3	Radio-Frequency Electromagnetic Field Susceptibility Test-RS

Note: (1) The CTL-ENOC-XX is considered as a component that will be operated in combination with final equipment. since EMI performance will be affected by the complete installation, the final equipment manufacturers must re-qualify EMI Directive on the complete installation again.

Interface to LED Driver

Wire Color	Name	Description
BLACK/WHITE	Vaux_in	Input from driver's 12V auxiliary power
PURPLE	Vdim_out	The dimming signal to control the driver
GRAY	Return	Return for auxiliary power and dimming signal

Operation Notes

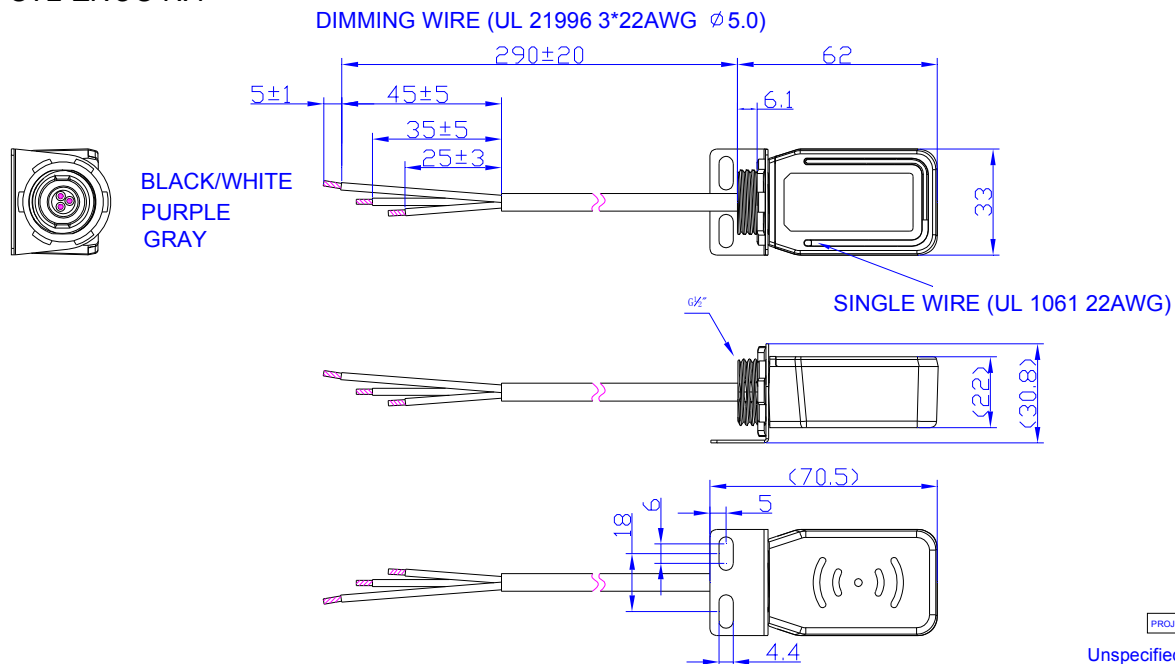
- Reset Operation. Connect Vaux (Positive) and Return (Negative) to 15.5V for 10 second will clear all settings in the CTL-ENOC-XX, including the password.
- More operation details please click here see the [User's Guide](#).

Compatible Drivers and Devices

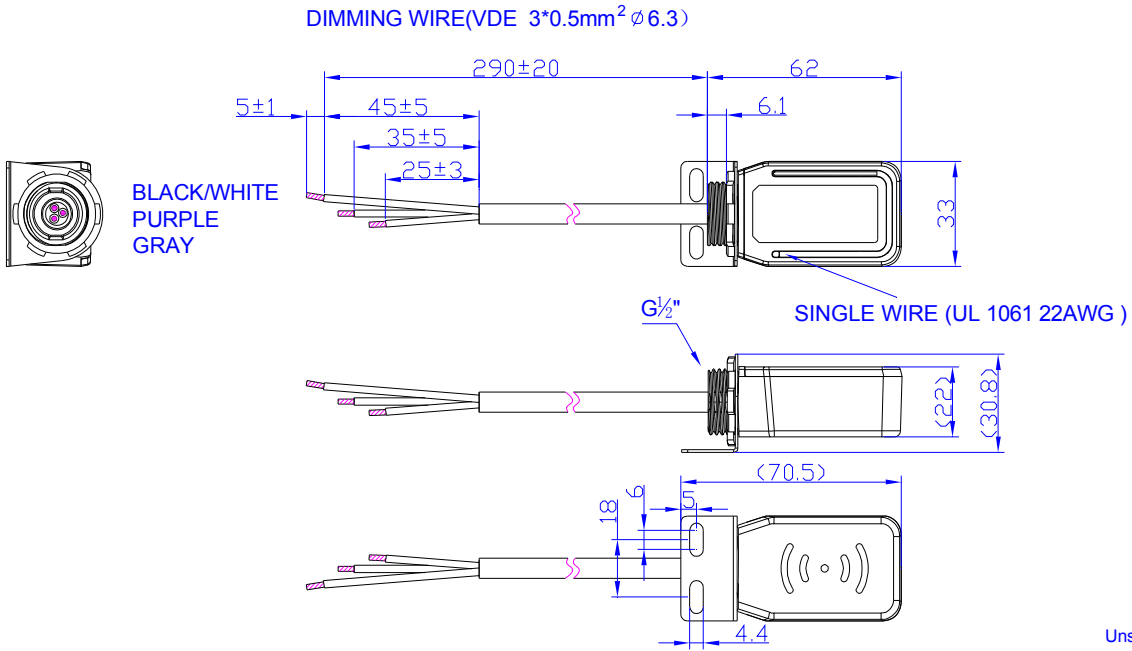
- Compatible driver list see the link below:
<http://www.inventronics-co.com/resources/compatibility-lists/>
- Compatible switches & sensors are available from several companies as listed at:
<https://www.enocean-alliance.org/en/products/>
- For OEMs, a few white-label switches & sensors are also available:
<https://www.enocean.com/en/products/>

Mechanical Outline

CTL-ENOC-NA



CTL-ENOC-EU



Unspecified tolerance:±1

RoHS Compliance

Our products comply with the European Directive 2011/65/EU, calling for the elimination of lead and other hazardous substances from electronic products.

Revision History

Change Date	Rev.	Description of Change		
		Item	From	To
2015-12-25	A	Datasheet Release	/	/
2016-05-12	B	Models and Accessories - EMI-FILTER-01	/	Deleted
		Dim+ Sourcing Current	/	Deleted
		Note of EMI Standard	/	Added
		Compatible Driver List - ESD-096S/150S/240S/320SxxxDT	/	Added
		Notes of Compatible Driver List - Driver Series - LUD-040S/060SxxxDSF	/	Deleted
		Notes of Compatible Driver List	/	Updated
2016-07-21	C	Operation Guide	/	Updated
		Mechanical Outline	/	Updated
2017-02-05	D	Models and Accessories - CTL-ENOC-EU	/	Added
		Models and Accessories - NWC-300	/	Added
		Safety & EMC Compliance	/	Updated
		Operation Guide - Reset Voltage	15V	15.5V
		Mechanical Outline	/	Updated
		Dimming Specifications - Note of Dim+ Voltage	Vaux \geq 11.5V	Vaux>11.5V
2017-04-27	E	Features - Flame Class	/	Added
		Dimming Specifications - Dim+ Voltage	/	Updated
2017-07-28	F	Features - IP Rating	/	Added
		Mechanical Outline	/	Updated
2017-08-15	G	Mechanical Outline - CTL-ENOC-NA	/	Updated
2018-02-11	H	Link in the Operation Notes and Compatible Drivers and Devices	/	Updated

Архангельск (8182)63-90-72
 Астана (7172)727-132
 Астрахань (8512)99-46-04
 Барнаул (3852)73-04-60
 Белгород (4722)40-23-64
 Брянск (4832)59-03-52
 Владивосток (423)249-28-31
 Волгоград (844)278-03-48
 Вологда (8172)26-41-59
 Воронеж (473)204-51-73
 Екатеринбург (343)384-55-89
 Иваново (4932)77-34-06

Ижевск (3412)26-03-58
 Иркутск (395)279-98-46
 Казань (843)206-01-48
 Калининград (4012)72-03-81
 Калуга (4842)92-23-67
 Кемерово (3842)65-04-62
 Киров (8332)68-02-04
 Краснодар (861)203-40-90
 Красноярск (391)204-63-61
 Курск (4712)77-13-04
 Липецк (4742)52-20-81
 Киргизия (996)312-96-26-47

Магнитогорск (3519)55-03-13
 Москва (495)268-04-70
 Мурманск (8152)59-64-93
 Набережные Челны (8552)20-53-41
 Нижний Новгород (831)429-08-12
 Новокузнецк (3843)20-46-81
 Новосибирск (383)227-86-73
 Омск (3812)21-46-40
 Орел (4862)44-53-42
 Оренбург (3532)37-68-04
 Пенза (8412)22-31-16
 Казахстан (772)734-952-31

Пермь (342)205-81-47
 Ростов-на-Дону (863)308-18-15
 Рязань (4912)46-61-64
 Самара (846)206-03-16
 Санкт-Петербург (812)309-46-40
 Саратов (845)249-38-78
 Севастополь (8692)22-31-93
 Симферополь (3652)67-13-56
 Смоленск (4812)29-41-54
 Сочи (862)225-72-31
 Ставрополь (8652)20-65-13
 Таджикистан (992)427-82-92-69

Сургут (3462)77-98-35
 Тверь (4822)63-31-35
 Томск (3822)98-41-53
 Тула (4872)74-02-29
 Тюмень (3452)66-21-18
 Ульяновск (8422)24-23-59
 Уфа (347)229-48-12
 Хабаровск (4212)92-98-04
 Челябинск (351)202-03-61
 Череповец (8202)49-02-64
 Ярославль (4852)69-52-93