

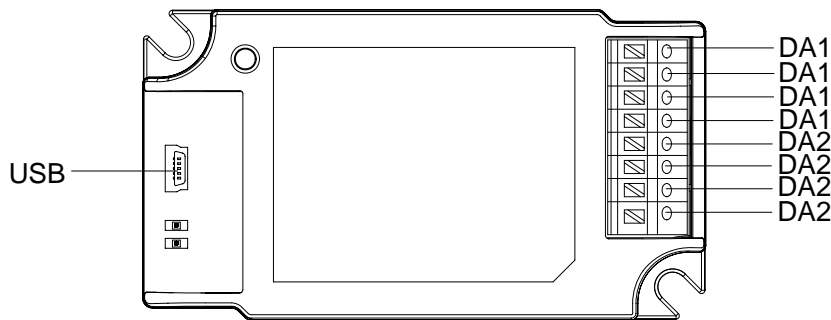
## Description

DALI-PROGRAM is the programmer for DALI Inventronics drivers.



## Model

Name	Description	P/N
Programmer	Programmer for LED Driver	DALI-PROGRAM



## Interface Specifications

Parameter	Min.	Typ.	Max.	Notes
DA1 High Level	10 V	17 V	20 V	
DA2 Low Level	-1 V	0 V	1 V	
DA1, DA2 Current	0 mA	-	6 mA	

## Environmental Specifications

Parameter	Min.	Typ.	Max.	Notes
Operating Ambient Temperature	-20 °C	-	+50 °C	Humidity: 10%RH to 90%RH. No condensation.
Storage Temperature	-40 °C	-	+70 °C	Humidity: 5%RH to 90%RH. No condensation.

## General Specifications

Parameter	Min.	Typ.	Max.	Notes
Dimensions (L x W x H) Inches Millimeters	3.35 x 1.85 x 0.83 85 x 47 x 21			
Net Weight	-	40 g	-	

**Note:** All specifications are typical at 25 °C unless otherwise stated.

Архангельск (8182)63-90-72  
Астана (7172)727-132  
Астрахань (8512)99-46-04  
Барнаул (3852)73-04-60  
Белгород (4722)40-23-64  
Брянск (4832)59-03-52  
Владивосток (423)249-28-31  
Волгоград (844)278-03-48  
Вологда (8172)26-41-59  
Воронеж (473)204-51-73  
Екатеринбург (343)384-55-89  
Иваново (4932)77-34-06

Ижевск (3412)26-03-58  
Иркутск (395)279-98-46  
Казань (843)206-01-48  
Калининград (4012)72-03-81  
Калуга (4842)92-23-67  
Кемерово (3842)65-04-62  
Киров (8332)68-02-04  
Краснодар (861)203-40-90  
Красноярск (391)204-63-61  
Курск (4712)77-13-04  
Липецк (4742)52-20-81  
Киргизия (996)312-96-26-47

Магнитогорск (3519)55-03-13  
Москва (495)268-04-70  
Мурманск (8152)59-64-93  
Набережные Челны (8552)20-53-41  
Нижний Новгород (831)429-08-12  
Новокузнецк (3843)20-46-81  
Новосибирск (383)227-86-73  
Омск (3812)21-46-40  
Орел (4862)44-53-42  
Оренбург (3532)37-68-04  
Пенза (8412)22-31-16  
Казахстан (772)734-952-31

Пермь (342)205-81-47  
Ростов-на-Дону (863)308-18-15  
Рязань (4912)46-61-64  
Самара (846)206-03-16  
Санкт-Петербург (812)309-46-40  
Саратов (845)249-38-78  
Севастополь (8692)22-31-93  
Симферополь (3652)67-13-56  
Смоленск (4812)29-41-54  
Сочи (862)225-72-31  
Ставрополь (8652)20-65-13  
Таджикистан (992)427-82-92-69

Сургут (3462)77-98-35  
Тверь (4822)63-31-35  
Томск (3822)98-41-53  
Тула (4872)74-02-29  
Тюмень (3452)66-21-18  
Ульяновск (8422)24-23-59  
Уфа (347)229-48-12  
Хабаровск (4212)92-98-04  
Челябинск (351)202-03-61  
Череповец (8202)49-02-64  
Ярославль (4852)69-52-93

**Packing List**

Packing List	Function
DALI-PROGRAM	Programmer
USB wire	Connect PC and Programmer

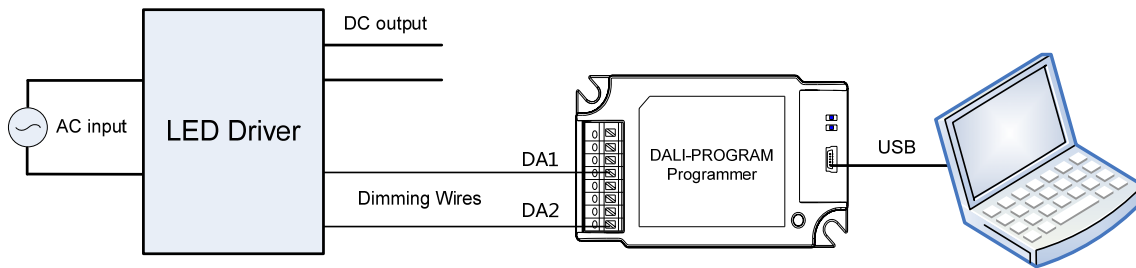
**Programming Interface Software**

From the following website, download and follow the Installation Instructions for Programming Interfaces:  
[http://www.inventronics-co.com/download.aspx?c\\_kind=3&c\\_kind2=17&c\\_kind3=154](http://www.inventronics-co.com/download.aspx?c_kind=3&c_kind2=17&c_kind3=154)

The installed software automatically checks for updates over the internet.

**Connections**

- The programming system connection is shown as below.



**Note:** The driver needs to be powered on during the programming process.

Pin	Connection	Pin	Connection
DA1	To LED driver's DA1 output wires	USB	To PC
DA2	To LED driver's DA2 output wires		

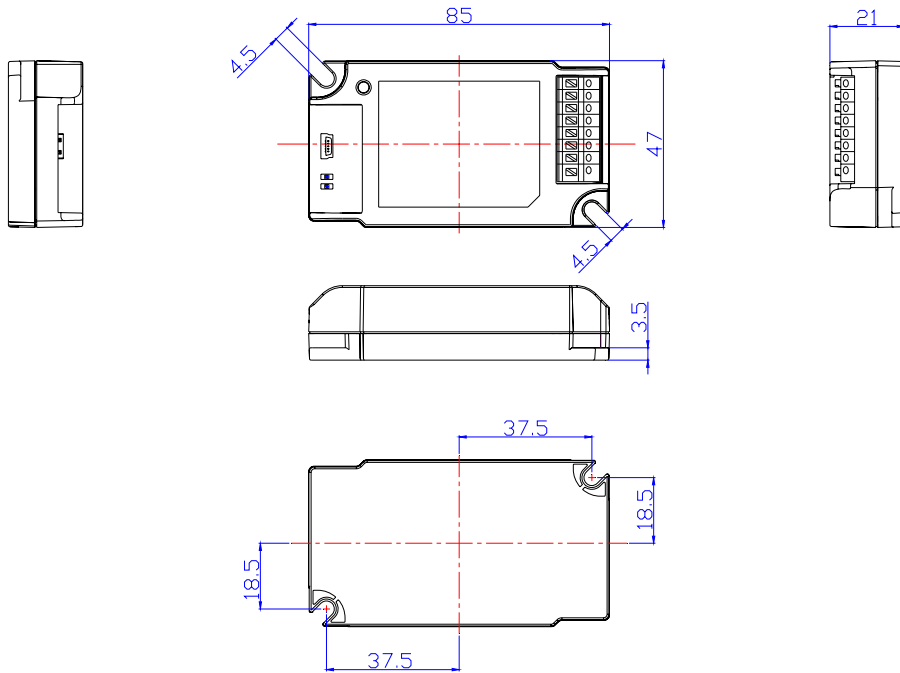
**PC Interface**

Take the LUD-060 Series for example; the following is the PC interface implementation of LUD-060S150BSF:

Introduction of the functions in the software interface:

Item	Name	Description
1	Exit	Exit the PC Interface
2	中文	Turn into Chinese Version
3	Basic OP	Basic Operation PC Interface
4	On	Turn on the driver
5	Off	Turn off the driver
6	Linear Curve	To click "linear curve", the dimming curve will be set to Linear Dimming Curve
7	Logari Curve	To click "Logarithmic Curve", the dimming curve will be set to Logarithmic Dimming Curve
8	Down	Dimming Down
9	Up	Dimming Up
10	Output Power	To set the current value by sliding it
11	Fade Time	To set the fade time; longer the fade time, slower the change speed
12	Driver Set	To set the information related to the LED Driver
13	Select LED Driver	To choose the series and the model, which need to be programmed
14	Max Current	To set the max output current of the driver
15	OLC	To choose whether the OLC is needed or not
16	OTP Setting	To set the current after OTP occurred (the triggered point and the recovery point are decided by the thermistor and the customer's requirements)
17	Read Cfg	To read the configuration file, which has been set
18	Save Cfg	To save the configuration file, which has been set
19	Read Drv	To read the configuration of the LED Driver
20	Write Drv	To write the configuration into the LED Driver

### Mechanical Outline



Unspecified tolerance:±1

### RoHS Compliance

Our products comply with the European Directive 2011/65/EC, calling for the elimination of lead and other hazardous substances from electronic products.

## Revision History

Change Date	Rev.	Description of Change		
		Item	From	To
2014-07-28	A	Datasheets Release	/	/

Архангельск (8182)63-90-72  
 Астана (7172)727-132  
 Астрахань (8512)99-46-04  
 Барнаул (3852)73-04-60  
 Белгород (4722)40-23-64  
 Брянск (4832)59-03-52  
 Владивосток (423)249-28-31  
 Волгоград (844)278-03-48  
 Вологда (8172)26-41-59  
 Воронеж (473)204-51-73  
 Екатеринбург (343)384-55-89  
 Иваново (4932)77-34-06

Ижевск (3412)26-03-58  
 Иркутск (395)279-98-46  
 Казань (843)206-01-48  
 Калининград (4012)72-03-81  
 Калуга (4842)92-23-67  
 Кемерово (3842)65-04-62  
 Киров (8332)68-02-04  
 Краснодар (861)203-40-90  
 Красноярск (391)204-63-61  
 Курск (4712)77-13-04  
 Липецк (4742)52-20-81  
 Киргизия (996)312-96-26-47

Магнитогорск (3519)55-03-13  
 Москва (495)268-04-70  
 Мурманск (8152)59-64-93  
 Набережные Челны (8552)20-53-41  
 Нижний Новгород (831)429-08-12  
 Новокузнецк (3843)20-46-81  
 Новосибирск (383)227-86-73  
 Омск (3812)21-46-40  
 Орел (4862)44-53-42  
 Оренбург (3532)37-68-04  
 Пенза (8412)22-31-16  
 Казахстан (772)734-952-31

Пермь (342)205-81-47  
 Ростов-на-Дону (863)308-18-15  
 Рязань (4912)46-61-64  
 Самара (846)206-03-16  
 Санкт-Петербург (812)309-46-40  
 Саратов (845)249-38-78  
 Севастополь (8692)22-31-93  
 Симферополь (3652)67-13-56  
 Смоленск (4812)29-41-54  
 Сочи (862)225-72-31  
 Ставрополь (8652)20-65-13  
 Таджикистан (992)427-82-92-69

Сургут (3462)77-98-35  
 Тверь (4822)63-31-35  
 Томск (3822)98-41-53  
 Тула (4872)74-02-29  
 Тюмень (3452)66-21-18  
 Ульяновск (8422)24-23-59  
 Уфа (347)229-48-12  
 Хабаровск (4212)92-98-04  
 Челябинск (351)202-03-61  
 Череповец (8202)49-02-64  
 Ярославль (4852)69-52-93